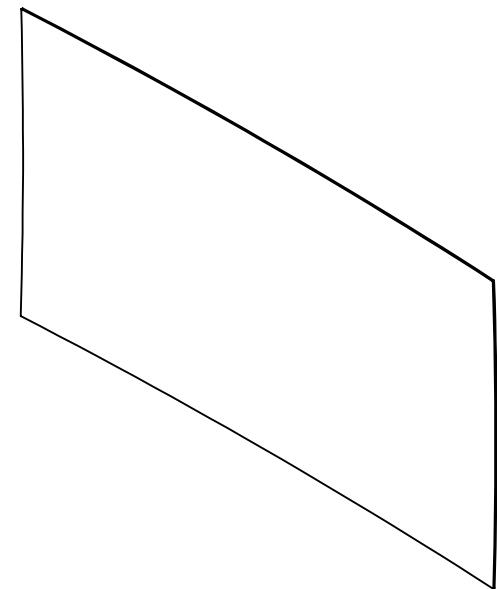
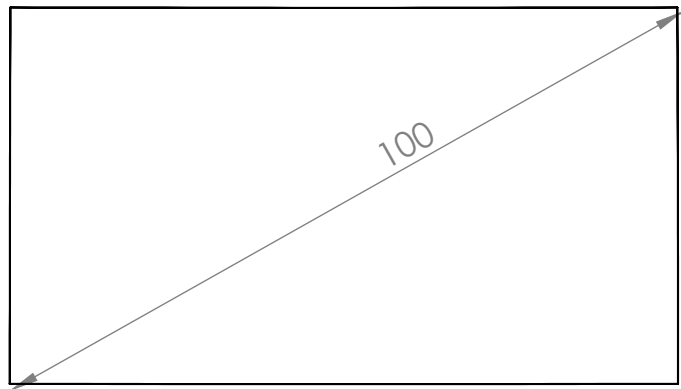


STANDARD 200 mm X 200 mm
VESA PATTERN

ALL MOUNTING HOLES ARE
8MM UNLESS
OTHERWISE SPECIFIED



3.10



PROPRIETARY AND CONFIDENTIAL
THE INFORMATION CONTAINED IN THIS
DRAWING IS THE SOLE PROPERTY OF
ACCELEROPTICS. ANY
REPRODUCTION IN PART OR AS A WHOLE
WITHOUT THE WRITTEN PERMISSION OF
ACCELEROPTICS IS
PROHIBITED.

		UNLESS OTHERWISE SPECIFIED:		NAME	DATE
		DIMENSIONS ARE IN INCHES	DRAWN	BSM	7/30/10
		TOLERANCES:	CHECKED	BSM	7/30/10
		FRACTIONAL ±	ENG APPR.		
		ANGULAR: MACH ± BEND ±	MFG APPR.		
		TWO PLACE DECIMAL ±	Q.A.		
		THREE PLACE DECIMAL ±	COMMENTS:		
		INTERPRET GEOMETRIC TOLERANCING PER:			
		MATERIAL			
		FINISH			
NEXT ASSY	USED ON				
APPLICATION		DO NOT SCALE DRAWING			

TITLE:
**CAPTURE 100
64' RADIUS SCREEN**

SIZE	DWG. NO.	REV
A	HD100R64	1

SCALE: 1:25 WEIGHT: SHEET 1 OF 1